



P L A N T E R W O R X
S I T E



STANTON BIKE RACK

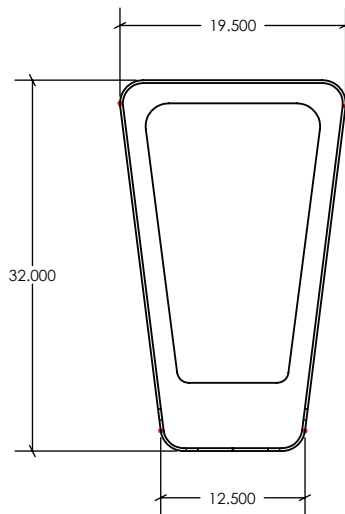
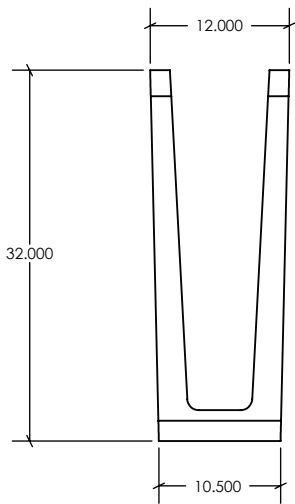
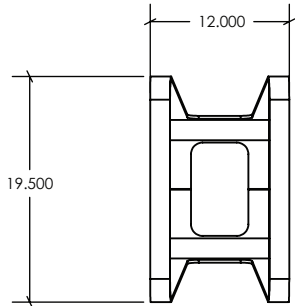
32"H X 12"W X 19.5"D

MANUFACTURED FROM:
.25" ASTM A240 STAINLESS STEEL / 180 lbs
T-304 (T-316L BY REQUEST)
IN A NON-DIRECTIONAL SATIN FINISH
OR .25" ASTM A36 MILD STEEL / 178 lbs
WITH A POLYESTER BASED ARCHITECTURAL/MARINE
GRADE POWDER COAT FINISH
AVAILABLE IN STANDARD FINISHES OR IN ANY RAL COLOR

P L A N T E R W O R X 9 8 7 E S S E X S T B R O O K L Y N N Y 1 1 2 0 8
T 7 1 8 . 9 6 3 . 0 5 6 4 F 7 1 8 . 9 6 3 . 0 5 6 5
P L A N T E R W O R X . C O M



P L A N T E R W O R X S I T E



STANTON BIKE RACK

32"H X 12"W X 19.5"D

MANUFACTURED FROM:
.25" ASTM A240 STAINLESS STEEL / 180 lbs
T-304 (T-316L BY REQUEST)
IN A NON-DIRECTIONAL SATIN FINISH
OR .25" ASTM A36 MILD STEEL / 178 lbs
WITH A POLYESTER BASED ARCHITECTURAL/MARINE
GRADE POWDER COAT FINISH
AVAILABLE IN STANDARD FINISHES OR IN ANY RAL COLOR

P L A N T E R W O R X 9 8 7 E S S E X S T B R O O K L Y N N Y 1 1 2 0 8
T 7 1 8 . 9 6 3 . 0 5 6 4 F 7 1 8 . 9 6 3 . 0 5 6 5
P L A N T E R W O R X . C O M